

## 4K HD-TVI/AHD/HDCVI to HDMI Converter

### AD001UHD4 4K HD-TVI /AHD/HDCVI to HDMI Converter with Loop Out

With AD001UHD4, real-time video from security camera can be displayed on a 4K or 1080p high resolution HDMI monitor for public view.

Additionally, AD001UHD4 also offers HD Loop Out with UTC function for connecting to DVR or another AD001UHD4 to build the configuration of one to multiple outputs.

It's perfect for business, home, school application or any place where high-definition monitoring is needed.



### Features:

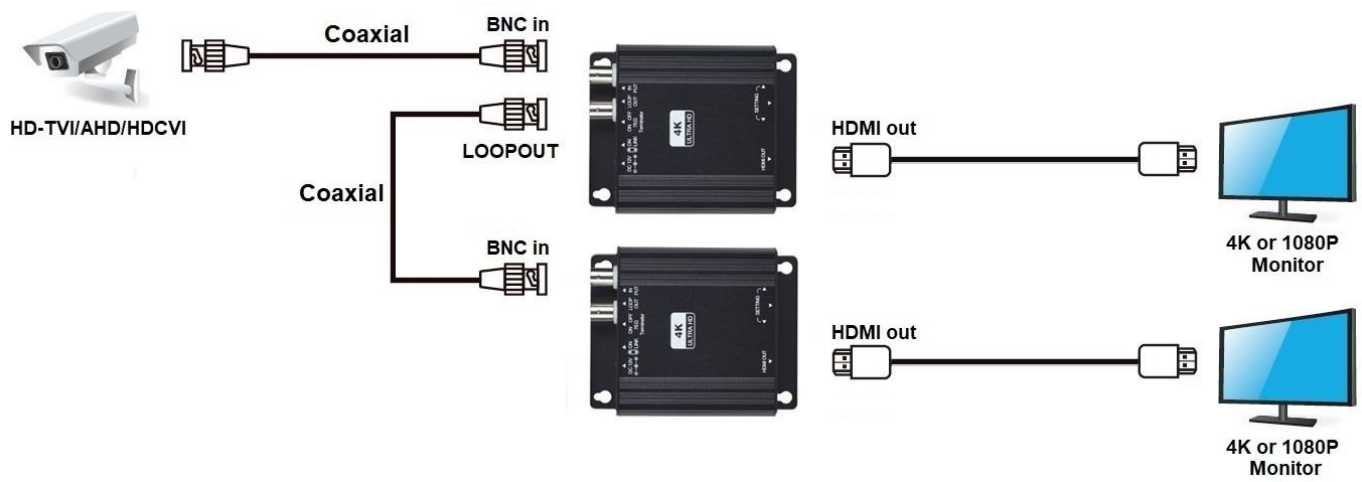
- Converts HD-TVI/HD-CVI/AHD signal to HDMI signal.
- BNC input supports: 1080p/4MP/5MP up to 4K (8 MP)
- HDMI output up to 4K @ 30Hz
- Supports both up and down scaling function.
- HD Loop out support Video + Data (Up The Coax).
- Built-in OSD for easy operation.

### Installation:

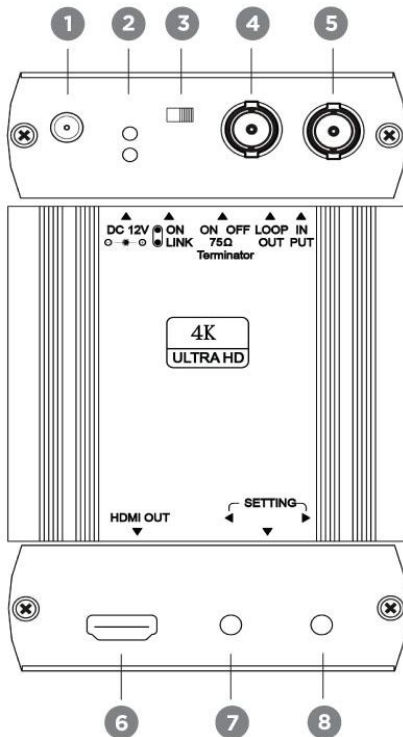
(1)



(2)



## Panel Review:



No.	Interface	Description
1	Power Input Port	Connects to DC12V 0.5A adapter (please refer to Note 1)
2	Power/ Link LED	Green light indicates the device is on. Blue light indicates the camera input and HDMI output are linked. (please refer to Note 2)
3	75Ω Terminator	To be set to ON or OFF is based on whether the Loop Out port is connected to the device or not. (please refer to Note 3)
4	Loop Out	Connects to RG59/RG6U cable to DVR or another AD001UHD4. (please refer to Note 4)
5	BNC Input	Connects to RG59/RG6U cable from the camera.
6	HDMI Output	Connects to the HDMI monitor with HDMI cable.
7	◀ Button	Shows firmware version. (please refer to Note 5)
8	▶ Button	Switches HDMI output resolution between 1080p@60Hz and 4K@30

## Notes:

1. It is recommended to plug the power adapter after all input and output ports are connected.  
If the input camera or input video format is changed, please replug the adapter.
2. It takes approximately 20 seconds for building the connection after the power is turned on or the video format is changed.

3. When the Loop Out port isn't connected to any devices, the 75Ω Terminator should be set to "ON".  
When the Loop Out port is connected to the device, the 75Ω Terminator should be set to "OFF".
4. The max. transmission distance from camera to AD001UHD4 is approximately 100-200M.  
The max. transmission distance from camera to DVR through Loop Out port of AD001UHD4 should be approximately the same as camera connecting to DVR directly.
5. First step: Connects camera and HDMI monitor to AD001UHD4, and wait for the LED to turn blue.  
Second step: Remove the camera input  
Third step: Click ◀ button, the firmware version will show on the HDMI monitor.
6. The AD001UHD4 and cables must be away from any equipment with electromagnetic wave, i.e.: microwave, radio equipment, high voltage.

### Package Included:

- AD001UHD4 x 1pcs
- DC12V 500mA power adapter x 1pcs

### Specifications:

	AD001UHD4			
	Resolution	HD-TVI	AHD	HDCVI
Video Input	4K (8 MP) 3840 x 2160p	12.5/15 FPS	15 FPS	X
	5 MP 2592 x 1944p	12.5/20 FPS	20 FPS	X
	4 MP 2560 x 1440p	25/30 FPS	15/25/30 FPS	25/30 FPS
	2 MP 1920 x 1080p	25/30 FPS	25/30 FPS	25/30 FPS
HDMI Video Output	4K@30Hz 1080p@60Hz			
Input Connector	BNC			
Output Connector	HDMI Type-A,BNC			
75Ω Terminator	75Ω Terminator x 1			
Power Supply	12V 500mA			
Power Consumption	300mA			
Temperature	Operation: 0 to 70°C; Storage: -40 to 125°C; Humidity: up to 90%			
Dimension (mm)	88mm x 110.5mm x 30mm (W x D x H)			
Weight (g)	236g			

RoHS CE FC 

**Version. A 1903**