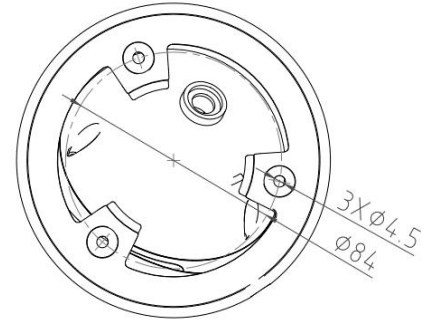
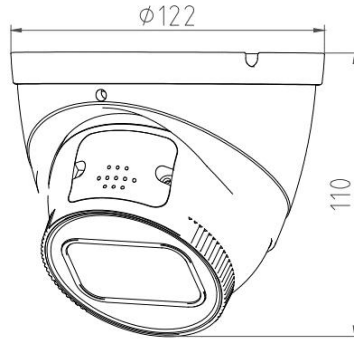


## 5MP IR Smart Dual Light Network Dome Camera



- 5MP 1/2.7" CMOS Image Sensor, Excellent Low Luminance Performance & High Definition of images.
- Outputs Max. 5MP: 2880\*1620@25/30fps, H.265 Code, High Compression Rate, Ultra Low Bit Rate.
- 2.8mm / 3.6mm / 6.0mm Fixed Focal Lens, IR Light: Max. 40M, Warm Light: Max. 30M.
- ROI, SMART H.264 +/H.265+, AI H.264/H.265, Flexible Coding, Applicable to various bandwidth and storage environments.
- Rotation Mode, DWDR, 3DNR, HLC, BLC, Digital Watermarking, Applicable to various monitoring scenes.
- Perimeter Protection: Intrusion, Tripwire (Support the classification & Detection of Human, Vehicle & Non-Motor).
- Abnormality Detection: Smart Motion Detection

| Model No.                     | CB-ED503P                                                          |
|-------------------------------|--------------------------------------------------------------------|
| <b>Camera</b>                 |                                                                    |
| Image Sensor                  | 1/2.7" Progressive CMOS Image Sensor                               |
| Max. Resolution               | 5MP, 2880(H)*1620(V)                                               |
| RAM & Flash                   | 256MB RAM / 128MB ROM                                              |
| Minimum Illumination          | 0.005Lux(Color), 0.0005Lux (B/W), 0Lux (IR on)                     |
| Shutter Speed                 | 1/3 s to 1/100, 000 s                                              |
| Day / Night                   | Auto, Dual IR-Cut Filter, D/N Sensitive Switch / Mixed Mode Switch |
| Illumination Distance Range   | IR Light: Max. 40M, Warm Light: Max. 30M                           |
| Illuminator Control           | Auto / Manual                                                      |
| Smart IR                      | Supported                                                          |
| S/N Ratio                     | ≥ 56dB                                                             |
| Angle Adjustment              | Pan: 0° to 360°, Tilt: 0° to 90°, Rotate: 0° to 360°               |
| <b>Lens</b>                   |                                                                    |
| Lens                          | 2.8mm / 3.6mm / 6.0mm Fixed Focal Lens                             |
| Max. Aperture Ratio           | F No. 1.6                                                          |
| Min. Object Distance          | 2M                                                                 |
| Lens Mount                    | M12                                                                |
| Max. Aperture                 | F1.6                                                               |
| Iris Type                     | Auto Iris                                                          |
| <b>Focal Length &amp; FOV</b> |                                                                    |

|                             |                                                                                                      |            |             |               |              |
|-----------------------------|------------------------------------------------------------------------------------------------------|------------|-------------|---------------|--------------|
| Lens                        | 2.8mm                                                                                                | 3.6mm      | 6.0mm       |               |              |
| Angle of View (H)           | 111°                                                                                                 | 90°        | 54°         |               |              |
| Angle of View (V)           | 59°                                                                                                  | 48°        | 29°         |               |              |
| Angle of View (O)           | 134°                                                                                                 | 108°       | 63°         |               |              |
| <b>DORI</b>                 |                                                                                                      |            |             |               |              |
|                             | Lens (mm)                                                                                            | Detect (m) | Observe (m) | Recognize (m) | Identify (m) |
| DORI Distance               | 2.8mm                                                                                                | 44.1       | 17.7        | 8.8           | 4.4          |
|                             | 3.6mm                                                                                                | 58.9       | 23.6        | 11.8          | 5.9          |
|                             | 6.0mm                                                                                                | 82.8       | 33.1        | 16.6          | 8.3          |
| <b>Intelligence</b>         |                                                                                                      |            |             |               |              |
| Face Detection              | N/A                                                                                                  |            |             |               |              |
| Smart Motion Detection      | Supported                                                                                            |            |             |               |              |
| Perimeter Protection        | Intrusion, Tripwire (support the classification of Human and Vehicle & Non-Motor)                    |            |             |               |              |
| Object Detection            | N/A                                                                                                  |            |             |               |              |
| People Counting             | N/A                                                                                                  |            |             |               |              |
| Heat Map                    | N/A                                                                                                  |            |             |               |              |
| AI Search                   | Work together with NVR                                                                               |            |             |               |              |
| <b>Video</b>                |                                                                                                      |            |             |               |              |
| Max Resolution              | 5MP: 2880(H)*1620(V)@25/30fps                                                                        |            |             |               |              |
| Stream Capability           | 3 Streams                                                                                            |            |             |               |              |
| Video Frame Rate            | Main Stream: 5MP@1fps-25/30fps,<br>Sub Stream: D1@1fps-25/30fps,<br>Third Stream: 720P@1fps-25/30fps |            |             |               |              |
| Video Compression           | H.265, H.264H, H.264M, H.264B                                                                        |            |             |               |              |
| Smart Compression           | H.265+, H.264H+, H.264M+, H.264B+,                                                                   |            |             |               |              |
| Bit Rate Control            | CBR / VBR                                                                                            |            |             |               |              |
| Video Bit Rate              | H.265: 3 Kbps~20480 Kbps / H.264: 3 Kbps~20480 Kbps                                                  |            |             |               |              |
| U-code                      | Supported                                                                                            |            |             |               |              |
| Scalable Video Coding (SVC) | H.265 and H.264 Encoding (H.265+ (Ultra H.265)/H.265/H.264+/H.264/MJPEG)                             |            |             |               |              |
| OSD                         | Minimum 4 OSDs                                                                                       |            |             |               |              |
| Day/Night                   | Color / B/W                                                                                          |            |             |               |              |
| BLC                         | BLC Supported                                                                                        |            |             |               |              |
| HLC                         | HLC Supported                                                                                        |            |             |               |              |
| FLC                         | FLC Supported                                                                                        |            |             |               |              |
| WDR                         | Digital WDR ≥ 120dB                                                                                  |            |             |               |              |
| White Balance               | Auto / Lock White Balance / Fluorescent Lamp / Filament Lamp / Fluorescent Lamp / HM                 |            |             |               |              |
| Gain Control                | Auto / Manual                                                                                        |            |             |               |              |
| Noise Reduction             | 3D NR (Auto / Manual)                                                                                |            |             |               |              |
| Motion Detection            | OFF/ON (4 Areas, Rectangular)                                                                        |            |             |               |              |
| Image Rotation              | Normal / Vertical / Horizontal / 0° / 90° / 180°                                                     |            |             |               |              |
| Mirror                      | Supported                                                                                            |            |             |               |              |
| Privacy Mask                | Up to 4 Areas (programmable polygon privacy masks)                                                   |            |             |               |              |

| Audio                     |                                                                                                                                                                                                                                                                                                                         |
|---------------------------|-------------------------------------------------------------------------------------------------------------------------------------------------------------------------------------------------------------------------------------------------------------------------------------------------------------------------|
| Audio Encoding            | G.711a, G.711Mu, G.726, G.726ASF                                                                                                                                                                                                                                                                                        |
| Audio Bite Rate           | Minimum 64 Kbps or Higher                                                                                                                                                                                                                                                                                               |
| Reduce Echo               | Supported                                                                                                                                                                                                                                                                                                               |
| Noise Filtering           | Supported                                                                                                                                                                                                                                                                                                               |
| Built-in MIC              | Supported                                                                                                                                                                                                                                                                                                               |
| Built-in Speaker          | N/A                                                                                                                                                                                                                                                                                                                     |
| Two-way Audio             | N/A                                                                                                                                                                                                                                                                                                                     |
| Other Audio Function      | N/A                                                                                                                                                                                                                                                                                                                     |
| Alarm                     |                                                                                                                                                                                                                                                                                                                         |
| Arming/Disarming          | Supported                                                                                                                                                                                                                                                                                                               |
| Sound Alarm               | Optional                                                                                                                                                                                                                                                                                                                |
| Light Alarm               | Supported                                                                                                                                                                                                                                                                                                               |
| Alarm Event               | Disconnection; IP Conflict; No SD Card; Capacity Warning; SD Card Error                                                                                                                                                                                                                                                 |
| Linkage                   | FTP / E-mail, Notify Surveillance Center, Trigger Recording, Trigger Capture                                                                                                                                                                                                                                            |
| Snapshot                  | Support JPEG Format                                                                                                                                                                                                                                                                                                     |
| Security Features         | Password                                                                                                                                                                                                                                                                                                                |
| OSD                       | Channel Name, Date & Time, Image Overlay                                                                                                                                                                                                                                                                                |
| Storage                   | Support FTP Storage                                                                                                                                                                                                                                                                                                     |
| Network                   |                                                                                                                                                                                                                                                                                                                         |
| LAN Ports                 | RJ45*1, 10M /100M Base-T                                                                                                                                                                                                                                                                                                |
| Network Protocol          | DHCP, DNS, DDNS, FTP, HTTP, HTTPS, ICMP, IGMP, IPv4, IPv6, NTP, ONVIF, P2P, PPPOE, QoS, RTP, RTSP, SMTP, SNMP, TCP/IP, UDP, UPnP, 802.1X                                                                                                                                                                                |
| Protocol                  | ONVIF / CGI / P2P                                                                                                                                                                                                                                                                                                       |
| Simultaneous Live View    | Up to 16 channels                                                                                                                                                                                                                                                                                                       |
| API                       | Open Network Video Interface Profile S, G, T, SDK                                                                                                                                                                                                                                                                       |
| User/Host                 | 20 User (Total bandwidth: 80M), 2 user levels: administrator and user                                                                                                                                                                                                                                                   |
| Security                  | Password Protection, Complicated Password, HTTPS Encryption, 802.1X Authentication (EAP-MD5), Watermark, Basic and Digest, Authentication for HTTP/HTTPS, WSSE and Digest Authentication for Open Network Video Interface, RTP/RTSP over HTTPS, Security Audit log, TLS 1.2, TLS 1.3, Host Authentication (MAC address) |
| Video Management Software | IE / Web / PC Client Software / App                                                                                                                                                                                                                                                                                     |
| Mobile Client             | iOS, Android                                                                                                                                                                                                                                                                                                            |
| Web Browser               | Plug-in required live view: IE 10+, Plug-in free live view: Chrome 57.0+, Firefox 52.0+, Local service: Chrome 57.0+, Firefox 52.0+                                                                                                                                                                                     |
| Smooth Streaming          | Yes                                                                                                                                                                                                                                                                                                                     |
| Interface                 |                                                                                                                                                                                                                                                                                                                         |
| Audio Input / Output      | N/A                                                                                                                                                                                                                                                                                                                     |
| Alarm Input / Output      | N/A                                                                                                                                                                                                                                                                                                                     |
| Storage                   | Support Max. 256G Micro SD / SDHC / SDXC(FAT32), FTP                                                                                                                                                                                                                                                                    |
| General Parameter         |                                                                                                                                                                                                                                                                                                                         |
| Case                      | Metal for Indoor & Outdoor                                                                                                                                                                                                                                                                                              |

|                      |                                                                                   |
|----------------------|-----------------------------------------------------------------------------------|
| Protection Level     | IP67, IK10                                                                        |
| Temp. / Humidity     | -30°C to +60°C (-22°F to +140°F)/Less than 95% RH                                 |
| Storage Conditions   | -40°C to +60°C (-40°F to +140°F)                                                  |
| Power Consumption    | Basic: 2.5W, Max. 5.2W                                                            |
| Power Supply         | DC12V 2A / POE (IEEE802.3af)                                                      |
| Lightning Protection | Power, Network, POE all Lightning Protection, Rating Surge Voltage: 6KV(10/700µs) |
| Dimension / Weight   | 122(L)*110(H)mm / 0.65KG                                                          |
| <b>Approvals</b>     |                                                                                   |
| Certification        | CE / FCC / RoHS                                                                   |
| ISO                  | ISO9001                                                                           |