

HD-TVI/AHD/HDCVI/CVBS TWISTED PAIR TRANSMISSION SYSTEM Passive Series

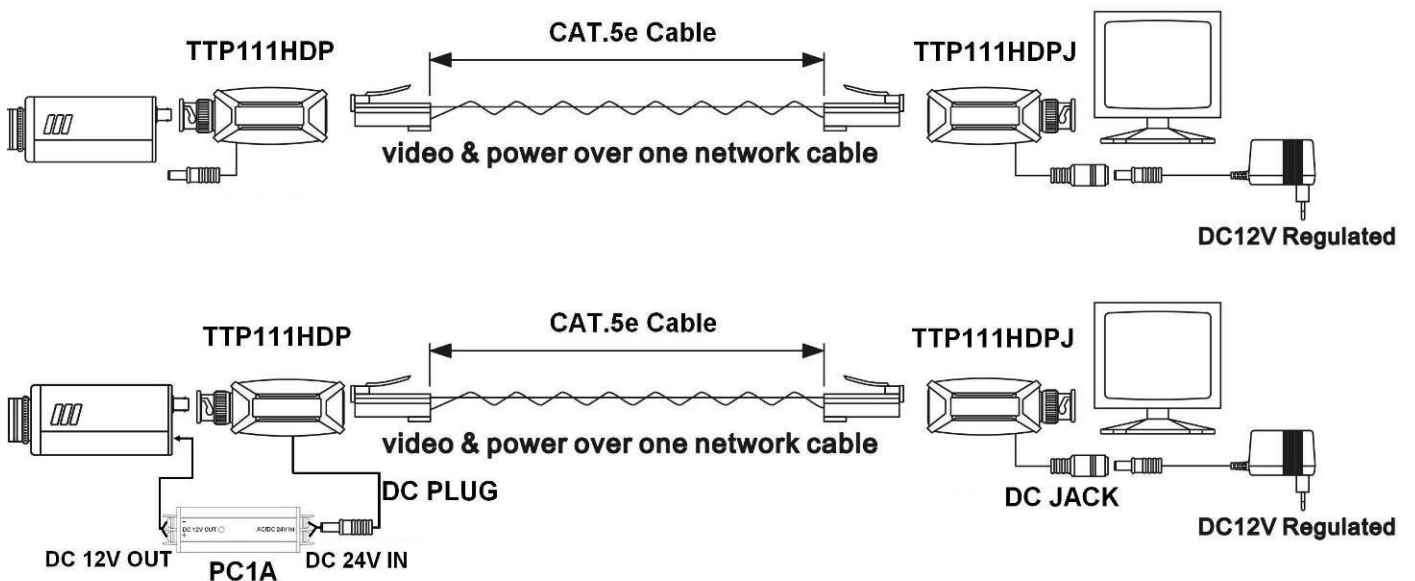
ITEM NO.: TTP111HDPK HD-TVI/AHD/HDCVI/CVBS Video & Power Transceiver



Features:

- Transmit HD-TVI/AHD/HDCVI/CVBS video and power (3 pairs) over one CAT5e cable.
- Include 2 units: 1 x RJ45 to BNC with DC power plug, 1 x RJ45 to BNC with DC power jack.
- Eliminate coaxial & power cable.
- Fast, easy installation, saving time and money.
- Substantial saving on the cost of the cable itself.
- Built in ESD, EFT(impulse noise) and transient protection.

Installation View:



- ◆ Remote Power by DC24V/AC24V, please use our model no: PC500/PC1A power converter (AC to DC for regulated DC12V) at camera side to send regulated DC12V for camera use.

Transmission Distance Chart:

Video Transmission Distance (Max):

HD-TVI/AHD/HDCVI/CVBS Video Balun Distance Chart

HD-TVI	AHD	HDCVI	CVBS
1080P 250M 5MP 200M	1080P 250M 4MP 200M	1080P 300M 4K 200M	400M

The distance may be affected by the quality of cable, camera, DVR. This installation should be made by a qualified service person and should conform to all local codes.

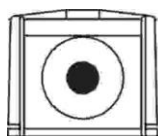
Power Transmission Distance:

Voltage Drop According to Cable Length (24AWG):

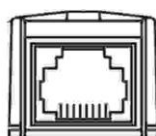
Voltage Distance	DC12V		
	50M	100M	300M
Camera Power Consumption	3 PAIRS	3PAIR	3 PAIR
50mA	11.8	11.5	10.8
100mA	11.5	10.9	9.6
150mA	11.2	10.4	8.4
200mA	11	9.9	7.2
250mA	10.7	9.4	5.9
300mA	10.4	8.9	4.7
350mA	10.2	8.4	3.5
400mA	9.9	7.9	2.3
450mA	9.6	7.5	1.1
500mA	9.3	7	1.2
1A	6.8	2.7	X
1.5A	4.1	X	X

Voltage Distance	DC24V		
	50M	100M	300M
Camera Power Consumption	3 PAIR	3 PAIR	3 PAIR
50mA	23.6	23.3	22.8
100mA	23.3	22.7	21.6
150mA	23	22.3	20.4
200mA	22.8	21.8	19.1
250mA	22.5	21.3	17.9
300mA	22.2	20.8	16.7
350mA	21.9	20.3	15.5
400mA	21.7	19.8	14.2
450mA	21.4	19.4	13
500mA	21.1	18.9	11.8
1Amp	18.7	14.7	0.8
1.5Amp	16.1	10	X

Panel View:



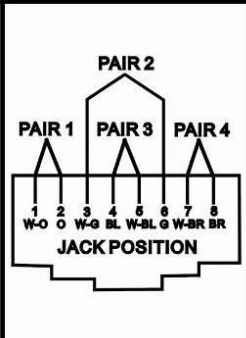
Front



Rear

RJ-45 Jack Pin Define

RJ - 45 Jack		
PIN	Color	Function
1	W-O	POWER -
2	O	POWER +
3	W-G	POWER -
4	BL	POWER +
5	W-BL	POWER -
6	G	POWER +
7	W-BR	Video +
8	BR	Video -



Recommend Cable:

Use high quality CAT5e UTP or CAT6 UTP cable. The max working distance is 300M for AHD, CVI camera, HD-TVI maximum distance is 250M. The distance may be affected by the quality of cable, camera, DVR.

Caution:

1. The cabling must be away from any equipment with electromagnetic waves, i.e.: microwave, mobile phone, radio equipment, high voltage power cable.
2. Remote Power by DC24V/AC24V, please use our model no: PC500/PC1A power converter (AC to DC for regulated DC12V) at camera side to send regulated DC12V for camera use.

Specification:

ITEM NO.	TTP111HDP	TTP111HDPJ
Video Input / Output Terminals	BNC x 1 (1 Vp-p · 75 Ohm)	
Video Output / Input Terminals	RJ45 x 1 (100 Ohm)	
Power	DC-PLUG	DC-JACK
Bandwidth	50Hz ~ 60MHz (-3dB)	
Transmission Distance	1080P: HD-TVI 250M, AHD 250M, HDCVI 300M 4M/5MP/4K: HD-TVI 200M, AHD 200M, HDCVI 200M CVBS: 400M	
ESD protection	30 KV(Air) · 15 KV (Contact) ; IEC 61000-4-2 compliant	
EFT protection	40A(5/50ns) ; IEC 61000-4-4 compliant	
Lightning protection	2A (8/20µs) ; IEC 61000-4-5 compliant	
Surge Protection Attack Time	< 1 nS	
Environmental Specifications	Operation: 0 to 55°C, Storage: -20 to 85°C, Humidity: up to 95%	
Dimension mm	69 x 25 x 20.7 + 140mm power cord	
Weight g	37 g	

RoHS CE FC

Rev. C