

# Coaxial Cabling : Video Distributor & Video Amplifier Series

ITEM NO.: CD102



CD102 is video distributors with one or multi video input to multi output. They are suitable for far distance, different floor in a building or different electrical field.

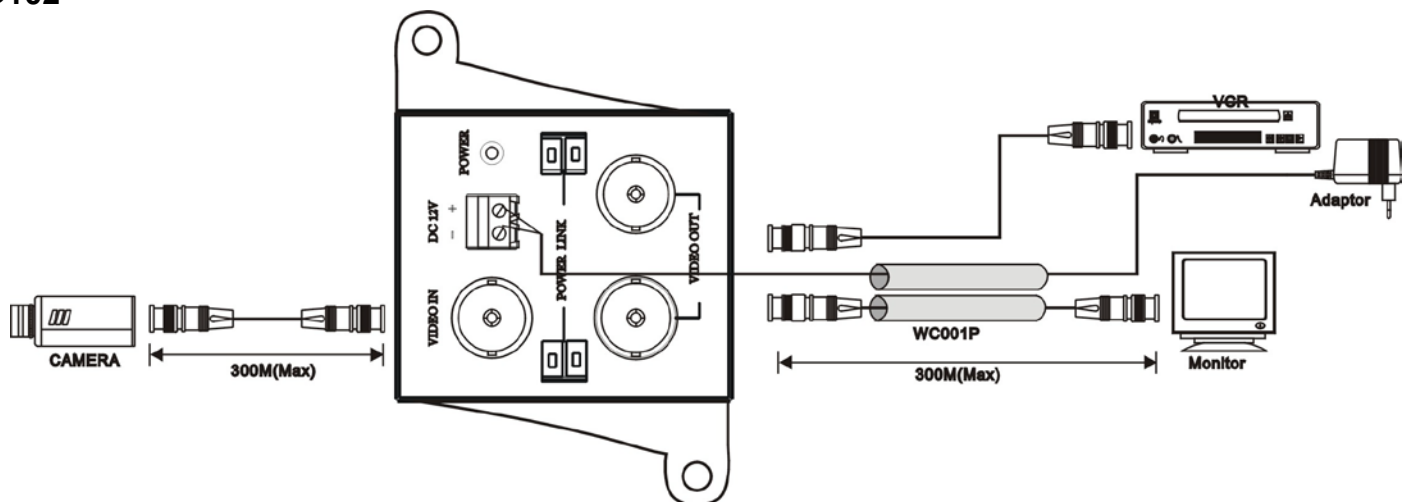
## CD102 1 Input to 2 Output Video Distributor

### Features:

- Red LED: power on/off.
- It can be connected video camera, multiplexer, VCR, DVR...etc.
- When using multi distributors, a jumper is needed to extend power. ( Max of 8 per power adapter)
- Package includes a jumper and power adapter.

### Installation View:

#### CD102



### Specifications:

ITEM NO.	CD102
Video Input Channel	BNC x 1
Video Output Channel	BNC x 2
Video Input Level	0.8~1.2Vp-p, 75 Ohms
Video Output Level	1Vp-p (Standard), 75 Ohms
Video Bandwidth	10hz - 10MHz
Power Supply	DC12V 500mA / AC24V
Power Consumption	40mA
Temperature	Operation: 0 to 55°C, Storage: -20 to 85°C, Humidity: up to 95%
Dimensions mm	43.2 x 74 x 45.2
Weight g	65



Rev. B