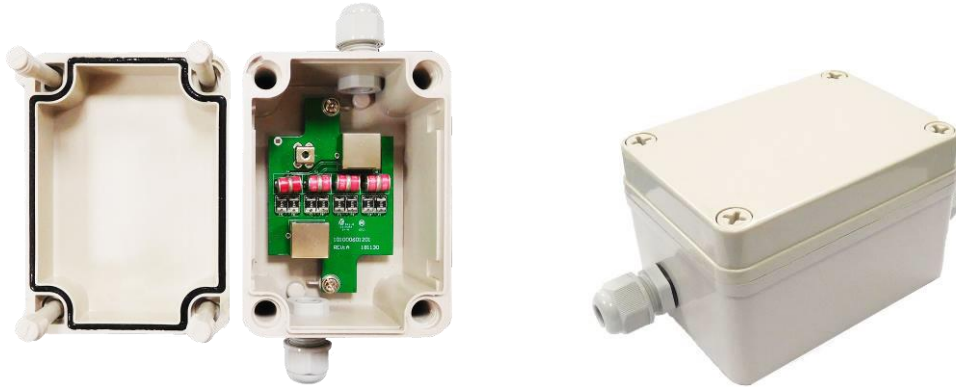


# Outdoor Gigabit PoE (Power over Ethernet) Surge Protector

ITEM NO.: SP006PHO



SP006PHO is a high quality surge protection device which special design to protect outdoor POE/Network equipment from lightning. The product is enclosed in a IP66 outdoor housing which could be easily mounted on a wall or a pole. It supports data transmission up to 1 Gigabit and POE device up to 90W.

SP006PHO is a surge protector designed for Outdoor, Gigabit Ethernet, PoE device to protect your valuable equipment from electro-magnetic pulse or other power surge created by lightning and other strong changes in electricity.

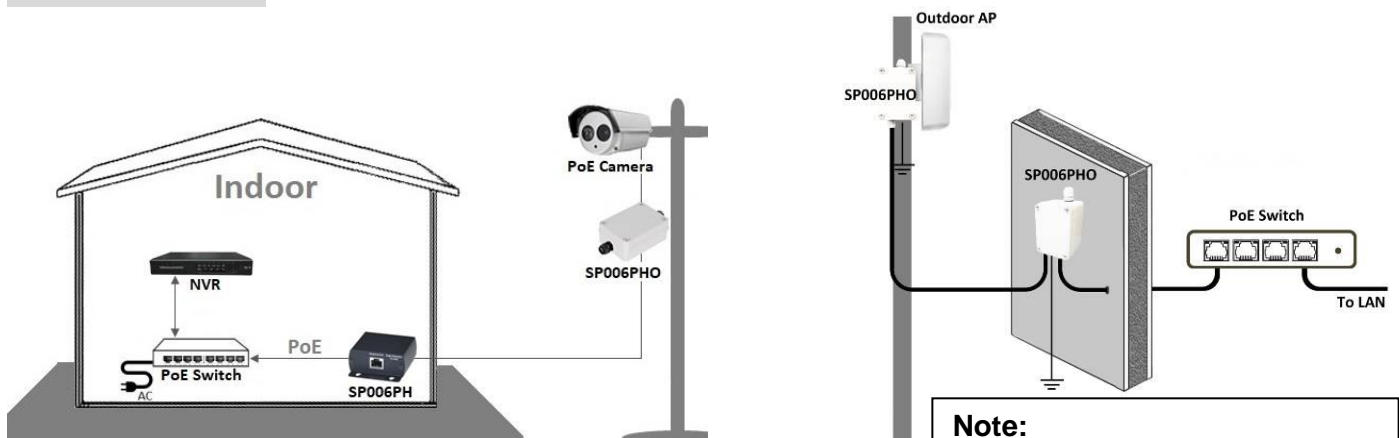
With the IP66 cases, SP006PHO has great ability of water and dust resistance.

It is perfect for any outdoor PoE equipment protection.

## **SP006PHO Outdoor PoE Surge Protector**

- Performs a different function than grounding requirements.
- Protects equipment from high voltage surges from nearby lightning strikes.
- RJ45 Jack to RJ45 Jack.
- Power and signal line protection.
- Support 10/100/1000 Base-T.
- Support Mid-Span PoE and End Span PoE.
- Support 802.3af / 802.3at and IEEE 802.3bt 71W.
- Support POE device up to 90W.
- Comply with IEC 61000-4-5, IEC 61000-4-2, EN61000-4-5
- Application for outdoor PoE equipment (Power over Ethernet) protection.

## **Installation:**



### **Note:**

For ensuring the unit can protect equipments, the cable must be connected to ground.

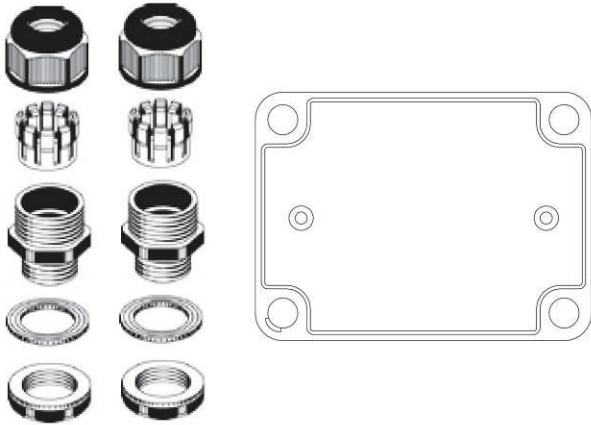
## **Application:**

- Outdoor PoE Camera
- Outdoor AP
- Outdoor Network device

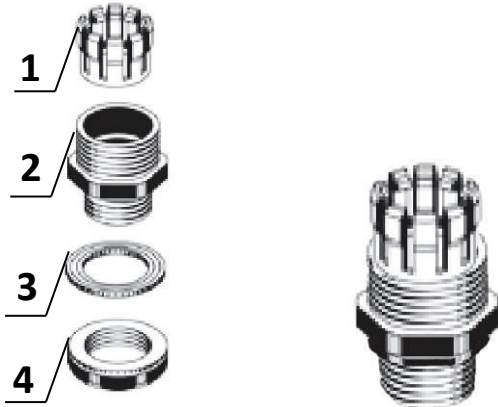
- Computer Control Rooms
- Server Farms
- Manufacturing Facilities
- Transmitter and Receiver Stations

## Installation:

1. IP66 Waterproof packing accessories as below:



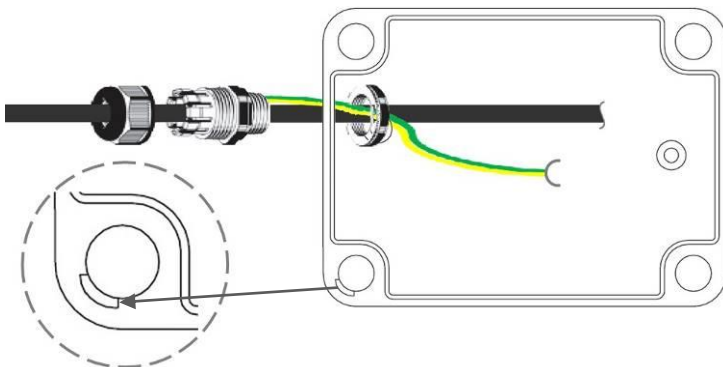
2. Assembly waterproof cap.



3. The pre-assembled network and grounding cables to pass through the waterproof cover set as shown.



4. Put the assembled wire set into the top of waterproof case and insert the nut as shown.

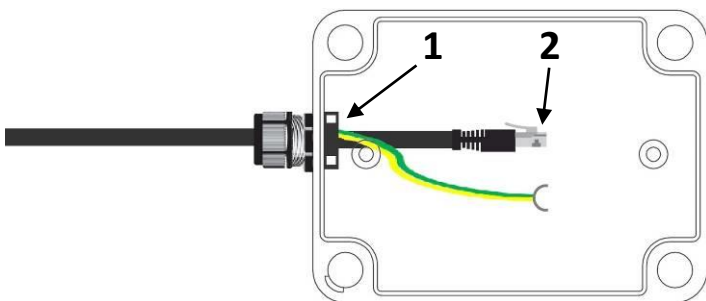


Note :  
The position of grounding cable must be same as left diagram.

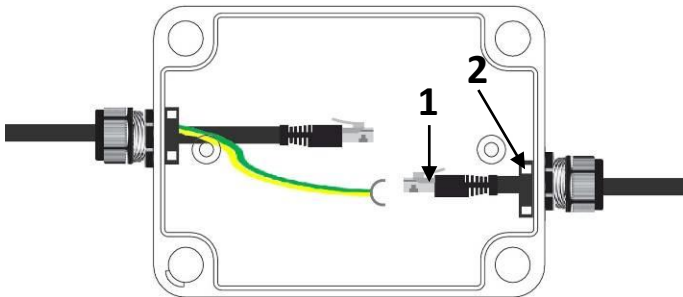
5. Through the cable lock the nut into the waterproof, then make the RJ45 connector (TIA / EIA-568-B ),and lock the nut into the waterproof set.

(1)

(2)

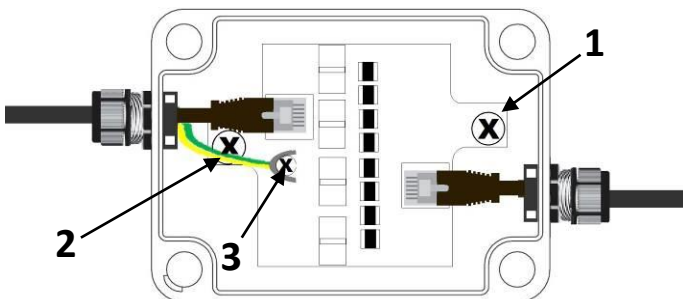


6. The other end is also connected to the RJ45 connector, and make the nut locked into the waterproof set. (1) (2)



7. A assembled PCBA Board :

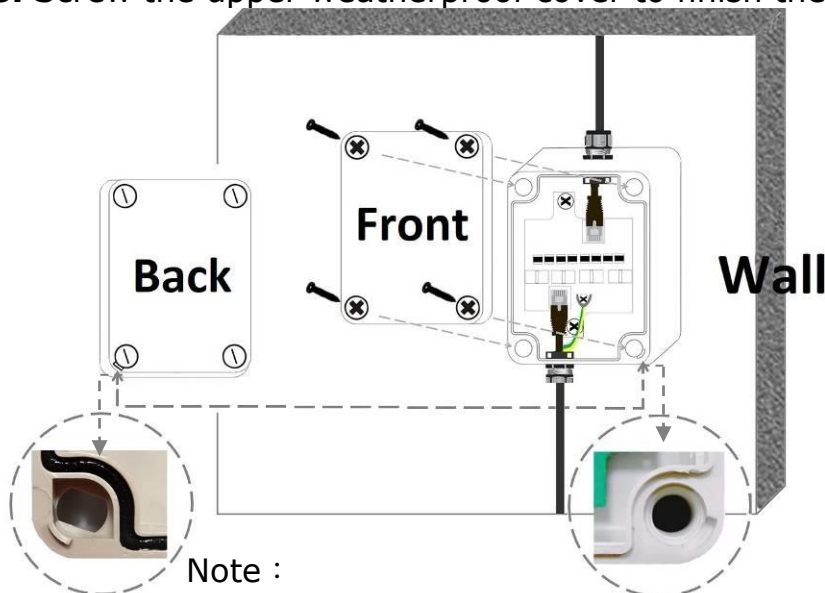
Put the PCBA Board into the waterproof case, connect the RJ45 connector and screw the grounding wire. Complete the 1,2,3 wiring assembly, then screw the PCBA at both side



Note :

The position of grounding cable must be same as left diagram.

8. Screw the upper weatherproof cover to finish the assembly.



Note :

Make sure to put correct notch position for the upper case.

## Specification

Item No.	SP006PHO
Input/output Interface	RJ45 x 2
Pass Through Data Rates	10/100/1000 Mbps
Response time	< 0.7nS

Maximum discharge current/voltage:	10KA (8/20 us) · 20KV (8/20 us)
ESD Protection	15KV (Air)/ 8KV( Contact)
Operating Voltage	60V
Waterproof Rating	IP66
Operating Temperature	Operation: -40 to 70°C, Storage: -40 to 90°C, Humidity: up to 95%
Material	ABS
Dimension            mm	80 x 158 x 45

RoHS   

Rev. A