

HD-TVI/AHD/HDCVI/CVBS Video & High Power UTP Cabling Solution

ITEM NO.: TTP111VPDC, TTA111VPDR, TTA414VPDR, TPN002

TTP111VPC, TTA111VPDR, TTA414VPDR are special design to use standard CAT5e & RJ45 structured building wiring to carry HD-TVI/AHD/HDCVI/Composite video, High DC power and data for simplifying short range installation by centralizing power and reducing installation labor costs. TTA111VPDR, TTA414VPDD built in high DC power supply working with TTP111VPDC as transmitter at camera side could support camera loads up to 1.5Amp per channel at distance 300 meters. With data transmission which is perfect for PTZ camera application.

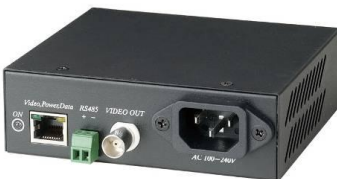
TTP111VPDC Video, Power, Data Transmitter Built in DC12V Power regulator

- To send video and remote power over one UTP CAT5 cable.
- Video Support: HD-TVI/AHD/HDCVI/Composite.
- Built in RS485 terminal for data transmission.
- Built in power detection with power output DC12V regulated 1.5Amp at 300 meters.
- Built in fan for low operating temperature.
- Transmission distance up to 300 meters.
- Built in LED indication.
- Built in ESD and surge protection.
- For DC12V camera use, the power sources from remote UTP receiver: TTA111VPDR, TTA414VPDR for professional CCTV Industry Installation.



TTA111VPDR 1 Port Video, Power, Data Receiver with DC High Power Supply

- Use with TTP111VPDC video, power, data transmitter at camera side to send video and power, data from remote side over one UTP CAT5 cable.
- Video Support: HD-TVI/AHD/HDCVI/Composite.
- RJ45 termination for easy installation.
- Provide high power to remote camera DC12V/25W (Max.)
- Power input: AC100-AC240V.
- Transmission range up to 300 meters.
- Built in LED indication.
- Built in ESD and surge protection.

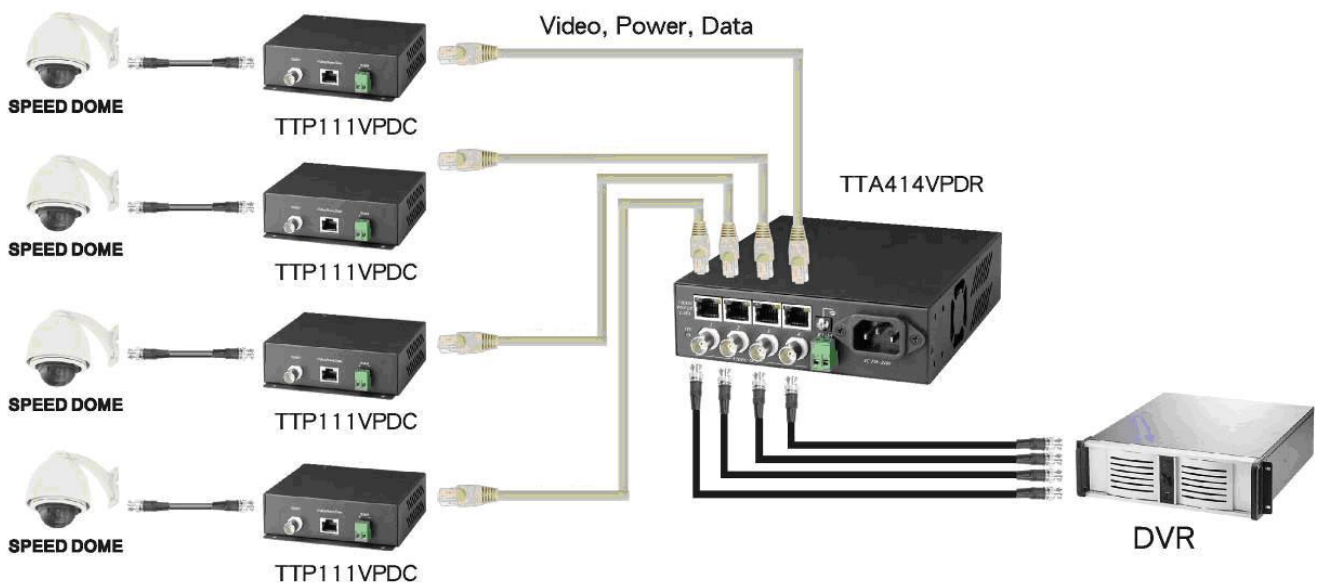
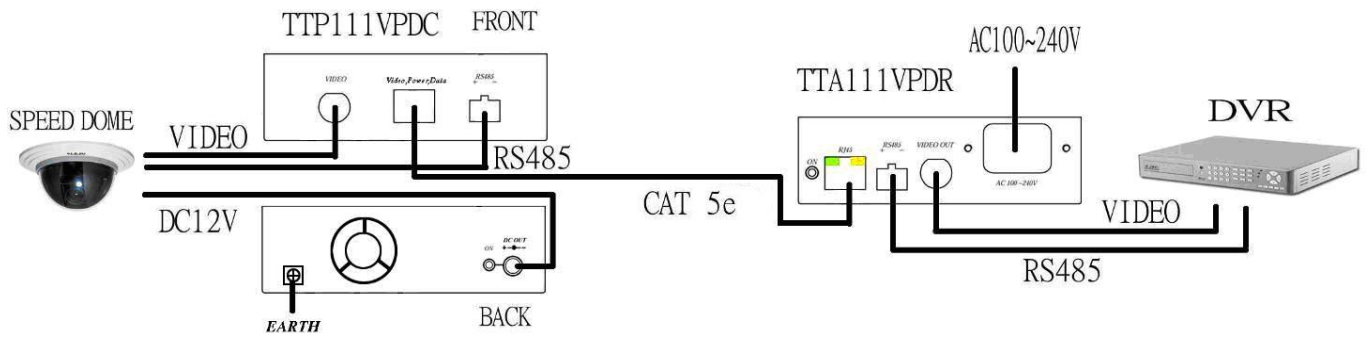


TTA414VPDR 4 Port Video, Power, Data Receiver with DC High Power Supply

- Identical to TTA111VPDR, but with 4 Port Video, Power, Data Receiver Hub
- Provide high power to 4 remote cameras DC12V/100W (Max.)
- Built in fan for low operating temperature.



Installation View:



HD-TVI/AHD/HDCVI/CVBS Distance Chart:

The distance will be affected by cable quality.

Transmitter	Receiver	HD-TVI	AHD	HDCVI	CVBS
TTP111VPDC	TTA111VPDR TTA414VPDR	720P 250M 1080P 200M(CAT5e) 1080P 250M(CAT6)	720P 400M 1080P 250M	720P 350M 1080P 350M	400M

Power Distance Chart :

The distance will be affected by cable quality.

50 M	DC12V 2.0Amp
100M	DC12V 1.7Amp
200M	DC12V 1.6Amp
300M	DC12V 1.5Amp
400M	DC12V 1.0Amp

RJ-45 Jack Pin Define for Camera Connection

		RJ - 45 Jack		
		PIN	Color	Function
		1	W-O	Power - or Data +
		2	O	Power + or Data -
		3	W-G	Power -
		4	BL	Power +
		5	W-BL	Power -
		6	G	Power +
		7	W-BR	Video +
		8	BR	Video -

TTP111VPDC, TTA111VPDR, TTA414VPDR LED:

Blue (front panel): power on/off

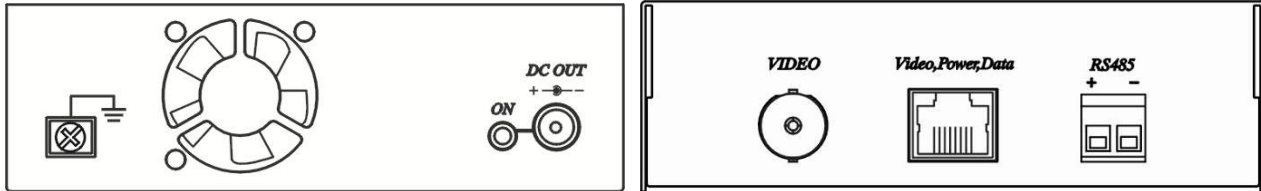
TTA111VPDR, TTA414VPDR RJ45 LED Indication:

Green: Power Output Normal

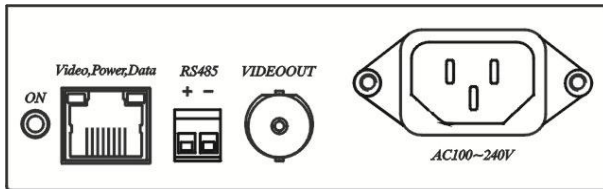
Yellow: Video Detection

Product Overview:

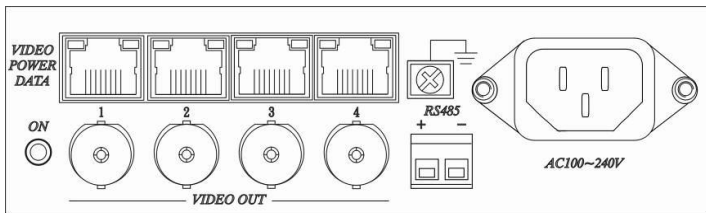
TTP111VPDC



TTA111VPDR



TTA414VPDR



Optional Rack Mount Installation: order separately

TPN002 1U 19" RACK MOUNTING PANEL for TTA414VPDR

- Option for TTA414VPDR rack mounting panel.
- Standard 19-inch (482mm) wide, 3.5-inch (88mm) 1U high.
- Supports 2 pieces of TTA414VPDR.
- Package includes the two mounting brackets and eight screws.



Place the mounting brackets the side of the left and right side of rack enclosure. Use two screws to secure mounting brackets.

Caution: to avoid any damage, TTP111VPDC, TTA111VPDR, TTA414VPDR cabling is not able to connect any Ethernet or PoE network with outside plant routing.

Specification:

ITEM NO.	TTP111VPDC
Video, Input	BNC, 1Vp-p, 75ohm
Data Input	RS485 Terminal Block
Video, Data, Power Transmission	RJ45 Termination
LED Indication	Power: Blue color
RJ45 Pin Define	Video: pin 7,8, Data: pin 1, 2, Power: pin 3,4,5,6,
Output Power	12V, 1.5Amp (Max)
Power Consumption	3W (Max.)
Distance	300 M
Recommend Cable	CAT 5 Cable 4 Pairs (24 AWG)
Temperature	Operation: 0 to 55°C, Storage: -20 to 85°C, Humidity: up to 95%
Dimension W x H x D mm	117 x 119.7 x 36
Weight g	420 g

ITEM NO.	TTA11VPDR
Video, Input	BNC, 1Vp-p, 75ohm
Data Input	RS485 Terminal Block
Video, Data, Power Transmission	RJ45 Termination
LED Indication	Power: blue , Power output: green, Video: yellow
RJ45 Pin Define	Video: pin 7,8, Data: pin 1, 2, Power: pin 3,4,5,6,
Power	Input: AC110-AC240V, Output: 54V
Power Consumption	2W (Max.)
Distance	300 M
Recommend Cable	CAT 5 Cable 4 Pairs (24 AWG)
Temperature	Operation: 0 to 55°C, Storage: -20 to 85°C, Humidity: up to 95%
Dimension W x H x D mm	117 x 126.2 x 36
Weight g	460

ITEM NO.	TTA414VPDR
Video, Input	BNC, 1Vp-p, 75ohm
Data Input	RS485 Terminal Block
Video, Data, Power Transmission	RJ45 Termination
LED Indication	Power: blue , Power output: green, Video: yellow
RJ45 Pin Define	Video: pin 7,8, Data: pin 1, 2, Power: pin 3,4,5,6,
Power	Input: AC110-AC240V, Output: 54V
Power Consumption	8W (Max.)
Distance	300 M
Recommend Cable	CAT 5 Cable 4 Pairs (24 AWG)
Temperature	Operation: 0 to 55°C, Storage: -20 to 85°C, Humidity: up to 95%
Dimension W x H x D mm	142 x 182 x 42
Weight g	900