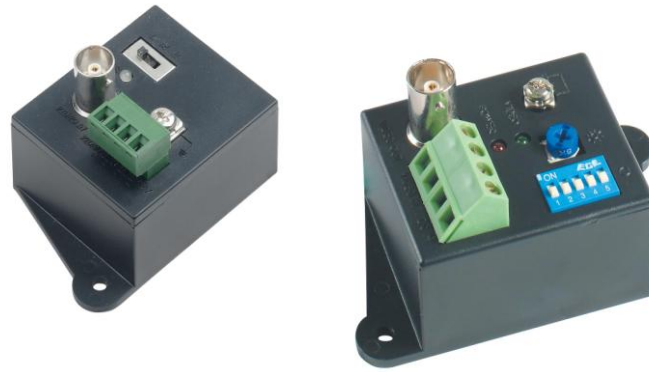


Long Range Twisted Pair Transmission System – Active Series

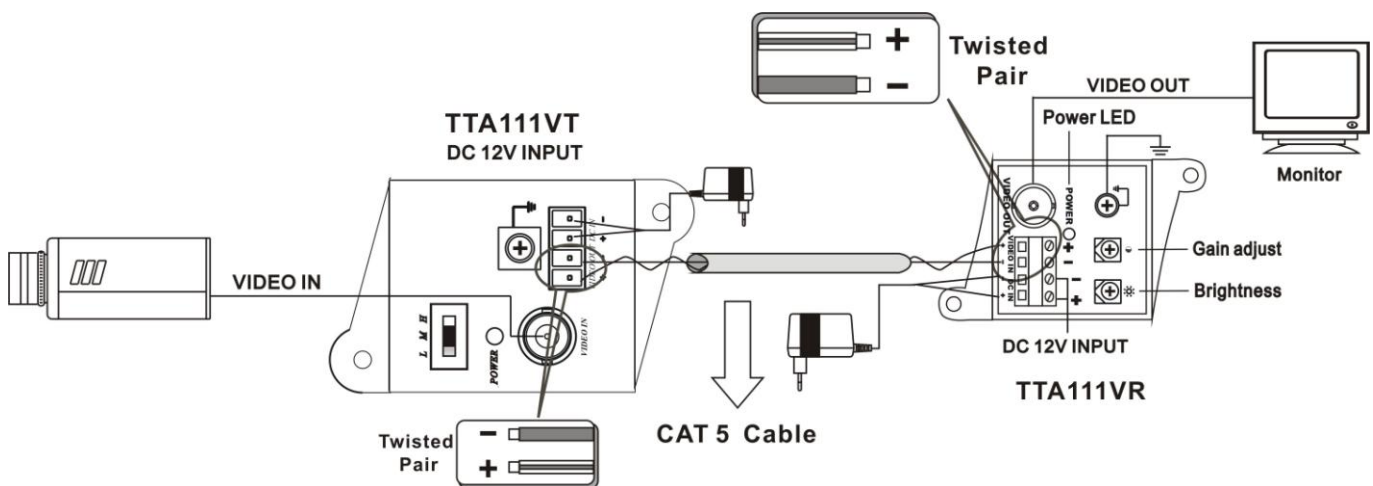
ITEM NO.: TTA111V (TTA111VT + TTA111VR)



Features:

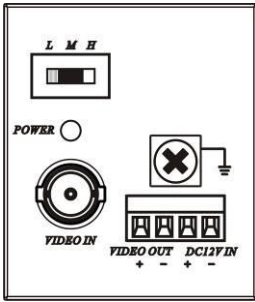
- To send a full motion color video signal up to 1500 meters over UTP cable.
- Transmitter built in L, M, and H high frequency video gain.
- Easy setting with 2 adjustments for color gain and brightness at TTA111VR receiver.
- System is integrated with alarm sensor (PIR, Magnetic, etc.) or data. (Pan, Tilt, Zoom).
- Built in transient protection and ground lifting, damaging voltage spike problems are eliminated.
- Up to multi pieces TTA111AVT, TTP111VT transmitter can work with 4 channel Hub TTA414VRA or 1U rack mounting TPA008/TPA008A, TPA016/TPA016A receiver panel.

Installation View:



*The unit built in transient protection, please make sure to make grounding.

TTA111VT Panel view & Function:



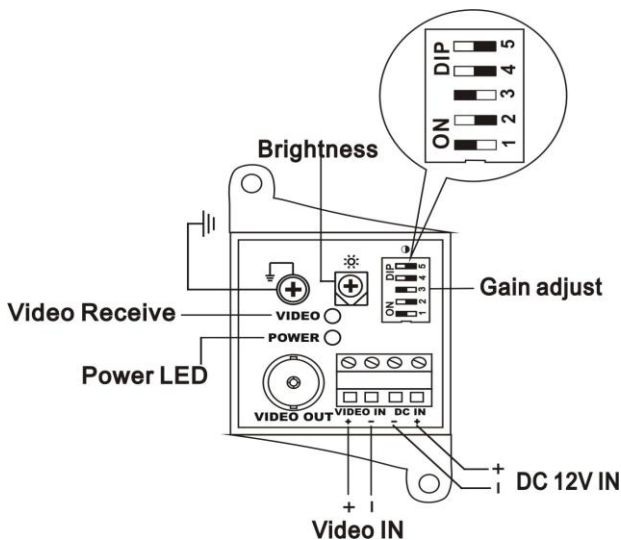
LED Indication:

Green: Power on/off

Slide Dip Switch for Video Gain :

- L High frequency gain - 6 dB
- M High frequency gain +3 dB
- H High frequency gain +6 dB

TTA111VR Panel view & Function:



LED Indication:

- Green : Video Detected
- Red : Power on/off

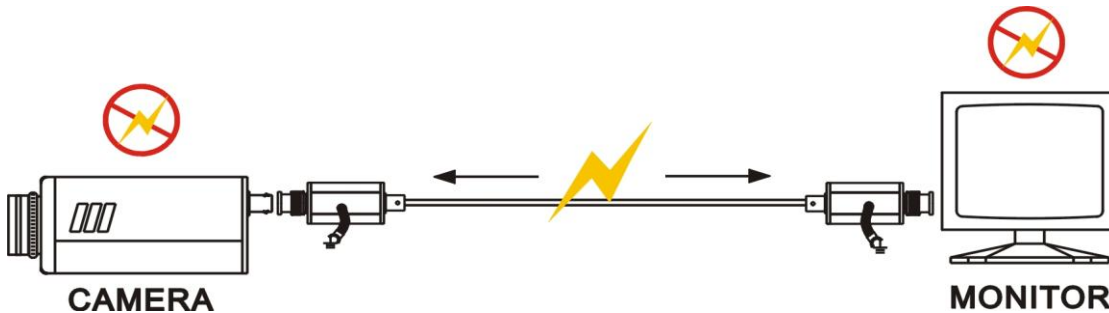
Slide Dip Switch for Video Gain :

VIDEO GAIN ADJUSTING (Receiver)		RJ - 45 Jack			
	Press 1 0~300M	Press 4 900~1200M	PIN	Color	Function
	Press 2 300~600M	Press 5 1200~1500M	1	W-O	D1-
	Press 3 600~900M		2	O	D1+
			3	W-G	Audio +
			4	BL	D2+
			5	W-BL	D2-
			6	G	Audio -
			7	W-BR	Video +
			8	BR	Video -

Option Model For TTA111VT, TTA111VR:

ITEM NO: SP003, SP004, SP005, SP006 SURGE PROTECTOR

To protect high value camera and CCTV image processor/monitoring equipment destroyed from high voltage surges from nearby lightning strikes, the long-range twisted pair cable go through outdoors. To add surge protection SP003-SP006 device on the back of camera and front of CCTV image processor/monitoring equipments. Small money to save high value CCTV equipments.



Recommend WT104PE Outdoor CAT5 UTP Twisted Pairs cable with PE jacket and steel wire, and use surge protector SP003-SP006 to avoid the damage of twisted pair system under lightning, thunderstorm weather environment.

ITEM NO: TPN009 2U RACK MOUNTING PANEL

Features:

- Ideal for security monitoring stations or video distribution hubs.
- Standard 19-inch (482mm) wide, 3.5-inch (88mm) 2U high.
- Supports up to 9 pieces of TTA111VT OR TTA111VR.
- This heavy-gauge panel is designed to withstand the mechanical load of multiple cables.



Troubleshooting:

1. These products are designed for long range transmission, the unit built in video amplifier function, If your transmission range under 100 meters, the video gain function is too big to have snow or wavy, bright image occurred. Recommend to use them with range at least over 100 meters or alternate passive video transceivers TTP111 series for short range transmission as well as cost saving.
2. Both of the transmitter, receiver has "dip switch" for different range transmission. Please switch to appropriate range upon your application to avoid any weak or bad image.
3. For color camera transmission, color signal would be degradation upon longer range, please alternate the receiver to TTA111VH model for color gain function.
4. UTP active transmitter, to work with auto gain active receiver TTA111VHA, TPA016A distance up to 2KM.

Specification:

ITEM NO.	TTA111VT
Video Format	NTSC / PAL
Video Input	BNC x 1 (75 Ω , 1 Vp-p)
Video Output	4 pin removable terminal x 1 (100 Ω , 3 Vp-p)
Switch	Slide switch x 1
Power Supply	DC 12V 500mA
Power Consumption	75 mA (Max)
Temperature	Operation: 0 to 55°C, Storage: -20 to 85°C, Humidity: up to 95%
DIMENSIONS W x H x D mm	43.2 x 45.2 x 74
WEIGHT g	55

ITEM NO.	TTA111VR
VIDEO OUTPUT	1Vp-p , 75 Ohms (BNC Connector)
POWER CONSUMPTION	40mA(max)
POWER SUPPLY	DC 12V 500mA
VIDEO GAIN ADJUSTING	1 0~300M 2 300~600M 3 600~900M 4 900~1200M 5 1200~1500M
RECOMMENDED CABLE	CAT5 UTP Cable 4 pair (24AWG)
Temperature	Operation: 0 to 55°C, Storage: -20 to 85°C, Humidity: up to 95%
DIMENSIONS W x H x D mm	43.2 x 45.2 x 74
WEIGHT g	60

RoHS   

Rev. C