

TWISTED PAIR TRANSMISSION SYSTEM – Passive Series

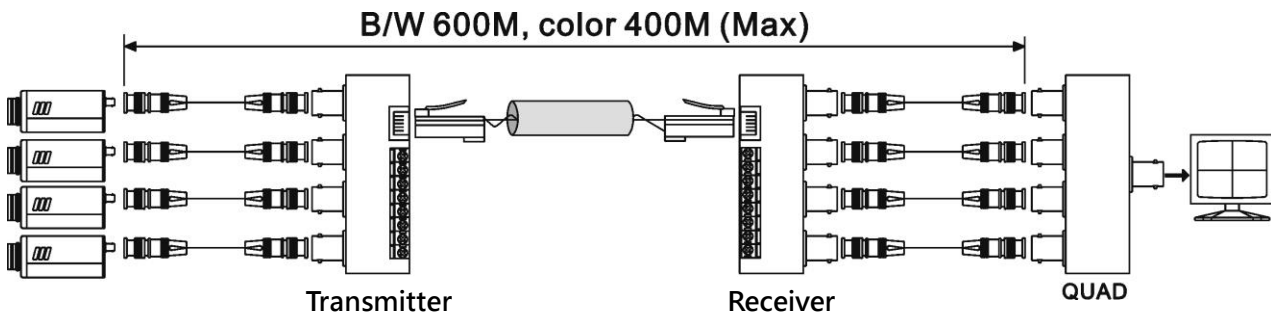
ITEM NO.: TTP414V 4 Channel Video Transceiver



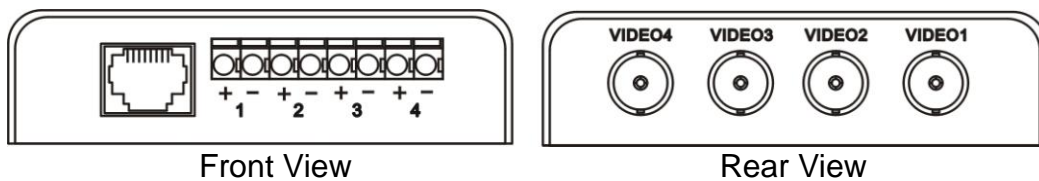
Features:

- Transmit a full color video signal up to 300 meters.
- Using 4 pairs CAT5 cable to transmit/receive 4 sets of video signals
- Choice of RJ45 or push pin terminal inputs/outputs.
- Distance Up to 1Km when used with an active receiver such as TTA111VH, TTA111VHA, TTA111VRA, TTA111AVR, TTA414VRA, TPA008A, TPA016A.
- Passive, no power required.
- Eliminate coaxial cable.
- Up to multi TTP111XX, can work with 1U rack mounting multi channel receiver panel TPP016, TPA008, and TPA016.

Installation View:



Panel View:



RJ-45 Jack Pin Define

		RJ - 45 Jack	
	PIN	Color	Function
<p>JACK POSITION</p>	1	W-O	Video1 +
	2	O	Video1 -
	3	W-G	Video2 +
	4	BL	Video3 -
	5	W-BL	Video3 +
	6	G	Video2 -
	7	W-BR	Video4 +
	8	BR	Video4 -

NOTE : These devices is reversible, BNC connector = RJ45

This installation should be made by a qualified service person and should conform to all local codes.

Specification:

ITEM NO.	TTP414V
Video Input	BNC x 4
Video Output	Push Pin Terminal , RJ45
Distance	300M
Recommend Cable	CAT.5 UTP (AWG24)
Temperature	Operation: 0 to 55°C, Storage: -20 TO 85°C, Humidity: up to 95%
Power	x
Dimension mm	110 x 80.8 x 26
Weight g	200

RoHS   

Rev.B