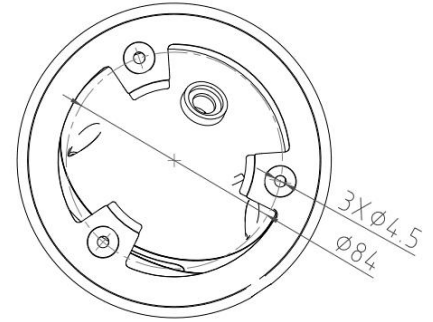
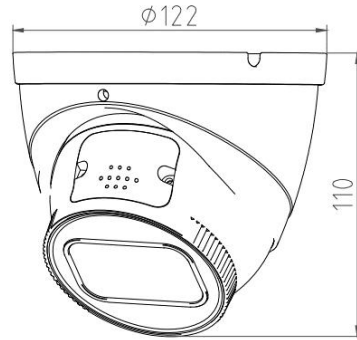


## 4MP Full Color Smart Dual Light Active Deterrence Network Dome Camera



- 4MP 1/1.8" CMOS Image Sensor, Smart Dual Light Dark Fighter Full Color Excellent Performance & High Definition of images.
- Outputs Max. 4MP: 2560(H)\*1440(V) / 2688(H)\*1520(V)@25/30fps, H.265 Code, High Compression Rate, Ultra Low Bit Rate.
- 2.7~13.5mm 5X Motorized Lens, IR Light: Max. 40M, Warm Light: Max. 40M.
- ROI, SMART H.264 +/H.265+, AI H.264/H.265, Flexible Coding, Applicable to various bandwidth and storage environments.
- Rotation Mode, WDR, 3DNR, HLC, BLC, Digital Watermarking, Applicable to various monitoring scenes.
- Perimeter Protection: Intrusion, Tripwire (Support the classification & Detection of Human, Vehicle & Non-Motor).
- Abnormality Detection: Smart Motion Detection, Face Detection, People Counting, Heat Map.
- Support White Light Flash Alarm, Sound Alarm, Arm and Disarm.

| Model No.                     | CB-EC406P-AZ   |
|-------------------------------|--|
| <b>Camera</b>                 |  |
| Image Sensor                  | 1/1.8" Progressive CMOS Image Sensor                               |
| Max. Resolution               | 4MP, 2560(H)*1440(V) / 2688(H)*1520(V)                             |
| RAM & Flash                   | 256MB RAM / 128MB ROM  |
| Minimum Illumination          | 0.0006Lux(Color), 0.0003Lux (B/W), 0Lux (IR on)                    |
| Shutter Speed                 | 1/3 s to 1/100, 000 s  |
| Day / Night                   | Auto, Dual IR-Cut Filter, D/N Sensitive Switch / Mixed Mode Switch |
| Illumination Distance Range   | IR Light: Max. 40M, Warm Light: Max. 40M                           |
| Illuminator Control           | Auto / Manual  |
| Smart IR                      | Supported  |
| S/N Ratio                     | ≥ 56dB   |
| Angle Adjustment              | Pan: 0° to 360°, Tilt: 0° to 90°, Rotate: 0° to 360°               |
| <b>Lens</b>                   |  |
| Lens                          | 2.7-13.5mm Motorized Auto Focus Lens                               |
| Max. Aperture Ratio           | F No. 1.2 (W) ~ 3.3(T)   |
| Min. Object Distance          | 0.3M~INF(W), 1.5M~INF(T)   |
| Lens Mount                    | M12  |
| Max. Aperture                 | F1.2   |
| Iris Type                     | Auto Iris  |
| <b>Focal Length &amp; FOV</b> |  |

|                             |  |            |             |               |              |
|-----------------------------|--|------------|-------------|---------------|--------------|
| Lens                        | 2.7~13.5mm   |            |             |               |              |
| Angle of View (H)           | 109° ~ 30°   |            |             |               |              |
| Angle of View (V)           | 56° ~ 17°  |            |             |               |              |
| Angle of View (O)           | 131° ~ 35°   |            |             |               |              |
| <b>DORI</b>                 |  |            |             |               |              |
| DORI Distance               | Lens (mm)  | Detect (m) | Observe (m) | Recognize (m) | Identify (m) |
|                             | 2.7mm  | 44.1       | 17.7        | 8.8           | 4.4          |
|                             | 3.6mm  | 58.9       | 23.6        | 11.8          | 5.9          |
|                             | 6.0mm  | 82.8       | 33.1        | 16.6          | 8.3          |
|                             | 13.5mm   | 144.8      | 57.9        | 29.0          | 14.5         |
| <b>Intelligence</b>         |  |            |             |               |              |
| Face Detection              | Supported  |            |             |               |              |
| Smart Motion Detection      | Supported  |            |             |               |              |
| Perimeter Protection        | Intrusion, Tripwire (support the classification of Human and Vehicle & Non Motor)                    |            |             |               |              |
| Video Metadata              | N/A  |            |             |               |              |
| People Counting             | Supported  |            |             |               |              |
| Heat Map                    | Supported  |            |             |               |              |
| AI Search                   | Work together with NVR   |            |             |               |              |
| <b>Video</b>                |  |            |             |               |              |
| Max Resolution              | 4MP: 2560(H)*1440(V) / 2688(H)*1520(V)@25/30fps  |            |             |               |              |
| Stream Capability           | 3 Streams  |            |             |               |              |
| Video Frame Rate            | Main Stream: 4MP@1fps~25/30fps,<br>Sub Stream: D1@1fps~25/30fps,<br>Third Stream: 720P@1fps~25/30fps |            |             |               |              |
| Video Compression           | H.265, H.264H, H.264M, H.264B  |            |             |               |              |
| Smart Compression           | H.265+, H.264H+, H.264M+, H.264B+,   |            |             |               |              |
| Bit Rate Control            | CBR / VBR  |            |             |               |              |
| Video Bit Rate              | H.265: 56 Kbps~8192 Kbps / H.264: 56 Kbps~8192 Kbps  |            |             |               |              |
| U-code                      | Supported  |            |             |               |              |
| Scalable Video Coding (SVC) | H.265 and H.264 Encoding (H.265+ (Ultra H.265)/H.265/H.264+/H.264/MJPEG)                             |            |             |               |              |
| OSD                         | Minimum 4 OSDs   |            |             |               |              |
| Day/Night                   | Color / B/W  |            |             |               |              |
| BLC                         | BLC Supported  |            |             |               |              |
| HLC                         | HLC Supported  |            |             |               |              |
| FLC                         | FLC Supported  |            |             |               |              |
| WDR                         | True WDR ≥ 140dB   |            |             |               |              |
| White Balance               | Auto / Lock White Balance / Fluorescent Lamp / Filament Lamp / Fluorescent Lamp / HM                 |            |             |               |              |
| Gain Control                | Auto / Manual  |            |             |               |              |
| Noise Reduction             | 3D NR (Auto / Manual)  |            |             |               |              |
| Motion Detection            | OFF/ON (4 Areas, Rectangular)  |            |             |               |              |
| Image Rotation              | Normal / Vertical / Horizontal / 0° / 90° / 180°   |            |             |               |              |
| Mirror                      | Supported  |            |             |               |              |

|                           |  |
|---------------------------|--|
| Privacy Mask              | Up to 4 Areas (programmable polygon privacy masks)   |
| ROI                       | Support 8 Areas  |
| Corridor Mode             | Supported  |
| Corridor Pattern          | Standard / Gorgeous  |
| Image Control             | Brightness, Contrast, Saturation, Sharpness  |
| Gain Control              | Auto   |
| Penetrating Fog           | Supported  |
| Vernier Focusing          | Supported  |
| All Electric Rectifier    | Supported  |
| <b>Audio</b>              |  |
| Audio Encoding            | G.711a, G.711Mu, G.726, G.726ASF   |
| Audio Bite Rate           | Minimum 64 Kbps or Higher  |
| Reduce Echo               | Supported  |
| Noise Filtering           | Supported  |
| Built-in MIC              | Supported  |
| Built-in Speaker          | Supported  |
| Two-way Audio             | Supported (Built in Microphone & Speaker)  |
| Other Audio Function      | Support Auto Gain, Audio Input/Output Volume   |
| <b>Alarm &amp; Event</b>  |  |
| Arming/Disarming          | Supported  |
| Sound Alarm               | Supported  |
| Light Alarm               | Supported  |
| Alarm Event               | Disconnection; IP Conflict; No SD Card; Capacity Warning; SD Card Error  |
| Linkage                   | FTP / Memory Card E-mail, Notify Surveillance Center, Trigger Recording, Trigger Capture   |
| Snapshot                  | Support JPEG Format  |
| Security Features         | Password, Watermark  |
| OSD                       | Channel Name, Date & Time, Image Overlay   |
| Storage                   | Support FTP Storage  |
| <b>Network</b>            |  |
| LAN Ports                 | RJ45*1, 10M /100M Base-T   |
| Network Protocol          | DHCP, DNS, DDNS, FTP, HTTP, HTTPS, ICMP, IGMP, IPv4, IPv6, NTP, ONVIF, P2P, PPPOE, QoS, RTP, RTSP, SMTP, SNMP, TCP/IP, UDP, UPnP, 802.1X   |
| Protocol                  | ONVIF / CGI / P2P  |
| Simultaneous Live View    | Up to 16 channels  |
| API                       | Open Network Video Interface Profile S, G, T, SDK  |
| User/Host                 | 20 User (Total bandwidth: 80M), 2 user levels: administrator and user  |
| Security                  | Password Protection, Complicated Password, HTTPS Encryption, 802. 1X Authentication (EAP-MD5), Watermark, Basic and Digest, Authentication for HTTP/HTTPS, WSSE and Digest Authentication for Open Network Video Interface, RTP/RTSP over HTTPS, Security Audit log, TLS 1.2, TLS 1.3, Host Authentication (MAC address) |
| Video Management Software | IE / Web / PC Client Software / App  |
| Mobile Client             | iOS, Android   |

|                          |  |
|--------------------------|--|
| Web Browser              | Plug-in required live view: IE 10+, Plug-in free live view: Chrome 57.0+, Firefox 52.0+,<br>Local service: Chrome 57.0+, Firefox 52.0+ |
| Smooth Streaming         | Yes  |
| <b>Interface</b>         |  |
| Audio Input / Output     | Optional   |
| Alarm Input / Output     | Optional   |
| Storage                  | Support Max. 256G Micro SD / SDHC / SDXC(FAT32), FTP   |
| <b>General Parameter</b> |  |
| Case                     | Metal for Indoor & Outdoor   |
| Protection Level         | IP67   |
| Temp. / Humidity         | -30°C to +60°C (-22°F to +140°F)/Less than 95% RH  |
| Storage Conditions       | -40°C to +60°C (-40°F to +140°F)   |
| Power Consumption        | Basic: 2.5W, Max. 6.2W   |
| Power Supply             | DC12V 2A / POE (IEEE802.3af)   |
| Lightning Protection     | Power, Network, POE all Lightning Protection, Rating Surge Voltage: 6KV(10/700μs)  |
| Dimension / Weight       | 122(L)*110(H)mm / 0.7KG  |
| <b>Approvals</b>         |  |
| Certification            | CE / FCC / RoHS  |
| ISO                      | ISO9001  |